



Smart solutions.  
Strong relationships.

# MULTISTAGE PUMPS



## HORIZONTAL MULTISTAGE PUMPS



## VERTICAL MULTISTAGE PUMPS

### **CGL PUMPS : A REPUTATION FOR EXCELLENCE...**

**Crompton Greaves Ltd**, is an Indian MNC, a part of US\$4 BN Avantha Group conglomerate with an impressive global foot print operating in over 10 countries and has a leadership position in most of its lines of Business.

CGL is designing and manufacturing Dependable innovative range of Centrifugal pumps for over 45 years and supplying to various core sectors of global economy like Water & Waste Water Management, Irrigation, Water Works, Fire Fighting, Processing, Power, Fertilizer, Refinery, Paper, Sugar & Textile Mills. Today CGL is the company having a wide product range of more than 2000 varied pump models catering to different areas of domestic, agriculture and industrial markets.

CGL Centrifugal Monoset Pump Series provides a new generation pumps having broad range of hydraulic coverage and low total cost of ownership, with reliable performance in variety of services.

#### **Our product range broadly covers :**

**Submersible pump sets:** Suitable for Open well and Borewell ranging from diameter 75mm to 250 mm

**Panels:** Suitable for Open well and Borewell pumps upto 250 mm diameter

**Cables:** Submersible cables up to 6 sq mm

**Surface mounted pumps :** Monosets in self-priming & non-self priming and coupled pump set in self priming

#### **Horizontal Split case pumps**

**End Suction Pumps as per ISO 2858 / DIN 24255**

**Jet Pumps :** Shallow well, Multi stage, Twin Type and Packer Type

#### **Diesel engine driven Pump sets**

Non Clog Dewatering Self priming pumps in bare shaft, monosets and coupled constructions.

With a view to augment our manufacturing capabilities we are setting up a large state of the art manufacturing plant, at MIDC Ahmednagar, complete with computerized testing facilities and adherence to latest quality standards to meet the varied needs of customers.

The company has more than 200 models in the 4 star and 5 star category duly approved by the Bureau of Energy Efficiency, a nodal agency under the Ministry of Power to serve varied needs in Agriculture and Industries.



# HORIZONTAL MULTISTAGE PUMPS

## HORIZONTAL MULTISTAGE PUMPS



### Structural Characteristics

- Fitted with Thermal Over load Protector (TOP)
- Diffuser - Noryl with Stainless Steel Jacket
- Shaft - SS 410
- Clean water not containing abrasive partials
- Liquid temperature 15°C to 50°C
- Ambient temperature upto 50°C
- Noryl Impeller
- Low power consumption
- Water Inlet & Outlet are of SS304 for all Horizontal Multistage Series

### Performance

- Single Phase 2780 RPM (Syn.) 50 Hz, 220 - 240 V,
- Capacitor Start and Run motor
- Motor Protection IP 44
- Insulation Class 'B'

### Performance Chart

S.No.	Model	Power		Stages	Pipe size (inches) BSP	Discharge in LPM												
		kW	HP			Total Head in metres												
1	MSMB 3D 0.50	0.37	0.50	3	1" x 1"	30.5	30	29	27.5	26.5	24.5	23	20.5	18.5	15.5	12.5	9	3.5
2	MSMB 4D 0.75	0.55	0.75	4	1" x 1"	41	40	38.5	37	35	33	30.5	27	24	20	17	12	5
3	MSMB 5D 1.00	0.75	1.00	5	1" x 1"	51	50	48	45	46	41	38	34	31	26	21	15	6



### Structural Characteristics

- Diffuser - SS 304
- Impeller - SS 304
- Shaft - SS 410
- Clean water not containing abrasive particles
- Liquid temperature -15° C to 100° C
- Ambient temperature up to 50° C

### Performance

- Single Phase 3000 RPM (Syn.) 50 Hz, 220 - 240 V, Capacitor Start and Run motor
- Three Phase 3000 - RPM (Syn.) 50 Hz, 415 V
- Motor Protection IP 44
- Insulation Class 'B'

### Performance Chart

S.No.	Model	Power		Stage	Pipe size	Discharge in LPM							
		kW	HP			Head (m)							
1.	CGHM 2/0.50-3	0.37	0.50	3	1" x 1"	0	8	17	25	33	42	50	58
2.	CGHM 2/0.75-5	0.55	0.75	5	1" x 1"	27	24	22	20	18	15	11	8
3.	CGHM 2/1.00-6	0.75	1.00	6	1" x 1"	43	40	36	32	29	24	28	12
						52	48	44	39	35	28	22	16

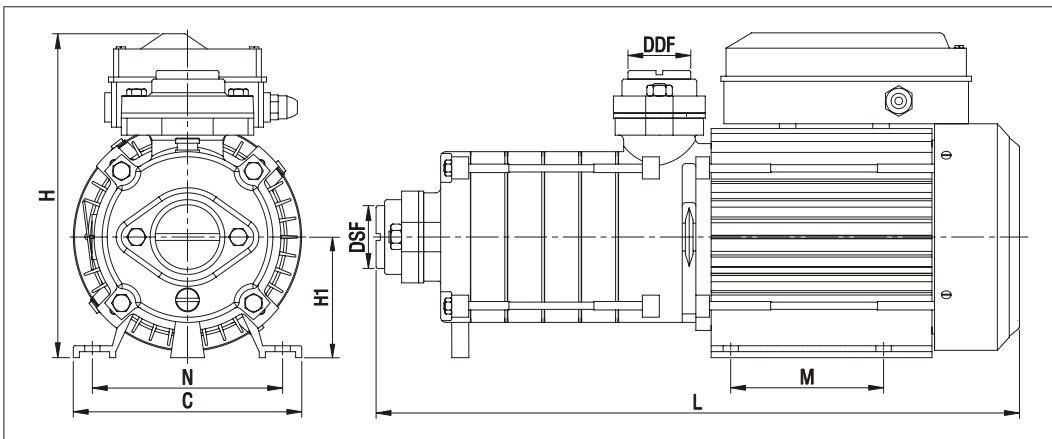
S.No.	Model	Power		Stage	Pipe size	Discharge in LPM							
		kW	HP			Head (m)							
1.	CGHM 4/0.50-2	0.37	0.50	2	1¼" x 1"	0	17	33	50	67	83	100	117
2.	CGHM 4/0.75-3	0.55	0.75	3	1¼" x 1"	16	14	12	11	9	8	6	-
3.	CGHM 4/1.00-4	0.75	1.00	4	1¼" x 1"	24	22	20	18	16	14	11	8
4.	CGHM 4/1.50-6	1.10	1.50	6	1¼" x 1"	36	33	31	29	26	22	18	12
						54	50	47	43	39	34	28	20

# HORIZONTAL MULTISTAGE PUMPS

S.No.	Model	Power		Stage	Pipe size	Discharge in LPM								
		kW	HP			0	83	100	117	133	150	167	183	
1.	CGHM 8/1.00-2	0.75	1.00	2	1½" x 1½"	Head (m)	18	15	14	13	12	-	-	-
2.	CGHM 8/1.50-3	1.10	1.50	3	1½" x 1½"		29	26	25	24	23	22	20	-
3.	CGHM 8/2.00-4	1.50	2.00	4	1½" x 1½"		38	34	33	31	29	27	24	22
4.	CGHM 8/3.00-5	2.20	3.00	5	1½" x 1½"		51	47	45	44	42	39	35	32

**Note:** Performance figure provided above are approximate for water at ambient temperature, may vary with liquid & site conditions.

## DIMENSION DETAILS:



## DIMENSION DETAILS:

S.No.	Model	DSF & DDF	C	H	H1	L	M	N
1	MSMB 0.50	1" x 1"	135	191	71	352	90	112
2	MSMB 0.75	1" x 1"	135	191	71	380	90	112
3	MSMB 1.00	1" x 1"	135	191	71	416	90	112
4	CGHM 2/0.50-3	1" x 1"	136	204	100	347	146	112
5	CGHM 2/0.75-5	1" x 1"	136	204	100	383	146	112
6	CGHM 2/1.0-6	1" x 1"	160	229	100	416	146	112
7	CGHM 4/0.50-2	1¼" x 1"	136	204	100	349	146	112
8	CGHM 4/0.75-3	1¼" x 1"	136	204	100	376	146	112
9	CGHM 4/1.00-4	1¼" x 1"	160	230	100	418	146	112
10	CGHM 4/1.50-6	1¼" x 1"	160	230	100	473	146	112
11	CGHM 8/1.00-2	1½" x 1½"	160	245	126	393	146	112
12	CGHM 8/1.50-3	1½" x 1½"	160	245	126	423	146	112
13	CGHM 8/2.00-4	1½" x 1½"	160	252	126	480	146	112
14	CGHM 8/3.00-5	1½" x 1½"	160	256	126	539	146	112

# VERTICAL MULTISTAGE PUMPS

## VERTICAL MULTISTAGE PUMPS



### Structural Characteristics

- Impeller - SS 304
- Diffuser - SS 304
- Shaft - SS 410
- Clean water not containing abrasive particles
- Liquid temperature -15° C to 100° C
- Ambient temperature up to 50° C
- Water Inlet & Outlet are of SS304 till 16M3/Hr pumps. For 32M3/Hr capacity the same is in CI

### Performance

- Three Phase, 2780 - RPM (Syn.) 50 Hz, 415 V±10%

### Motor details

- Cast Iron Motor Body
- IP 54 Protection
- Insulation Class 'F'
- Eff 2 motor

### Performance Chart

S.No.	Model	Power		Stage	Pipe size	Discharge in LPM									
		kW	HP			0	17	20	27	33	40	47	53	58	
1.	CGVM 2/0.50-3	0.37	0.50	3	1" x 1"	Head (m)	24	22	22	21	21	18	16	13	10
2.	CGVM 2/0.75-5	0.55	0.75	5	1" x 1"		40	38	38	36	35	31	27	22	17
3.	CGVM 2/1.00-7	0.75	1.00	7	1" x 1"		55	51	51	49	49	42	37	30	24
4.	CGVM 2/1.50-11	1.10	1.50	11	1" x 1"		88	83	82	79	77	68	59	48	38
5.	CGVM 2/2.00-15	1.50	2.00	15	1" x 1"		124	116	114	109	105	92	79	64	51
6.	CGVM 2/3.00-22	2.20	3.00	22	1" x 1"		189	177	174	168	162	163	142	128	116
7.	CGVM 2/4.00-26	3.00	4.00	26	1" x 1"		228	217	213	207	199	189	178	165	150

S.No.	Model	Power		Stage	Pipe size	Discharge in LPM									
		kW	HP			0	25	33	50	67	83	100	117	133	
1.	CGVM 4/0.50-2	0.37	0.50	2	1¼" x 1¼"	Head (m)	18	16	17	16	14	12	9	7	5
2.	CGVM 4/0.75-3	0.55	0.75	3	1¼" x 1¼"		27	25	25	24	21	18	15	12	9
3.	CGVM 4/1.00-4	0.75	1.00	4	1¼" x 1¼"		34	33	32	31	28	24	20	16	12
4.	CGVM 4/1.50-6	1.10	1.50	6	1¼" x 1¼"		52	48	47	44	42	36	29	23	17
5.	CGVM 4/2.00-8	1.50	2.00	8	1¼" x 1¼"		75	55	64	60	56	48	40	32	24
6.	CGVM 4/3.00-12	2.20	3.00	12	1¼" x 1¼"		104	98	96	92	85	78	67	54	40
7.	CGVM 4/4.00-16	3.00	4.00	16	1¼" x 1¼"		147	140	138	132	124	115	102	86	66
8.	CGVM 4/5.00-22	3.70	5.00	22	1¼" x 1¼"		186	180	175	166	154	142	128	108	78

# VERTICAL MULTISTAGE PUMPS

## Performance Chart

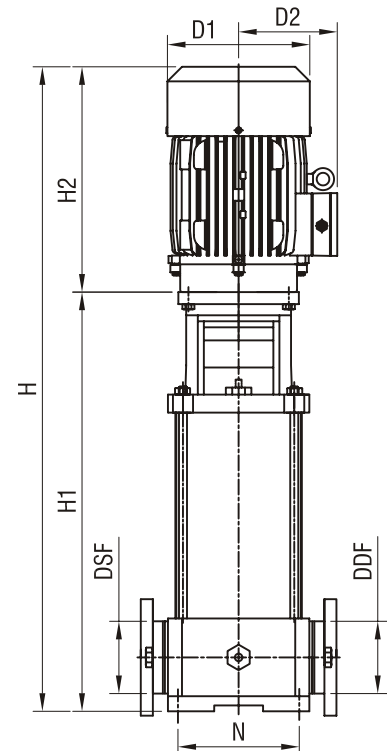
S.No.	Model	Power		Stage	Pipe size	Discharge in LPM									
		kW	HP			0	83	100	117	133	150	167	183	200	
1.	CGVM 8/1.00-2	0.75	1.00	2	1½" x 1½"	Head (m)	21	20	19	18	17	16	14	11	9
2.	CGVM 8/1.50-3	1.10	1.50	3	1½" x 1½"		33	31	29	27	26	23	21	17	13
3.	CGVM 8/2.00-4	1.50	2.00	4	1½" x 1½"		39	37	36	35	34	31	26	22	17
4.	CGVM 8/3.00-6	2.20	3.00	6	1½" x 1½"		54	54	53	52	51	47	40	32	25
5.	CGVM 8/4.00-8	3.00	4.00	8	1½" x 1½"		81	78	74	71	66	62	53	43	34
6.	CGVM 8/5.00-12	3.70	5.00	12	1½" x 1½"		120	114	110	106	102	94	88	78	66
7.	CGVM 8/7.50-16	5.50	7.50	16	1½" x 1½"		155	148	145	141	136	123	108	93	78
8.	CGVM 8/10.0-20	7.50	10.0	20	1½" x 1½"		194	185	182	178	170	155	140	120	100

S.No.	Model	Power		Stage	Pipe size	Discharge in LPM									
		kW	HP			0	133	167	200	233	267	300	333	367	
1.	CGVM16/3.00-2	2.20	3.00	2	2" x 2"	Head (m)	23	20	19	17	16	15	13	12	9
2.	CGVM 16/4.00-3	3.00	4.00	3	2" x 2"		33	31	30	29	28	25	24	21	18
3.	CGVM 16/5.00-4	3.70	5.00	4	2" x 2"		48	45	43	42	40	38	34	32	28
4.	CGVM 16/7.50-6	5.50	7.50	6	2" x 2"		80	75	793	72	69	66	63	59	54
5.	CGVM 16/10.0-8	7.50	10.0	8	2" x 2"		103	99	96	93	89	84	79	72	66
6.	CGVM 16/15.0-12	11.0	15.0	12	2" x 2"		153	142	139	135	131	126	116	103	89
7.	CGVM 16/20.0-16	15.0	20.0	16	2" x 2"		205	191	187	182	175	168	155	140	121

Note: Performance figure provided above are approximate for water at ambient temperature, may vary with liquid & site conditions.

## DIMENSION DETAILS:

S.No.	Model	DSF & DD	H1	H2	H	D1	D2	N
1	CGVM 2/0.50-3	1" x 1"	263	216	479	134	101	100
2	CGVM 2/0.75-5	1" x 1"	299	216	515	134	101	100
3	CGVM 2/1.00-7	1" x 1"	340	232	572	160	124	100
4	CGVM 2/1.50-11	1" x 1"	412	232	644	160	124	100
5	CGVM 2/2.00-15	1" x 1"	501	266	767	178	126	100
6	CGVM 2/3.00-22	1" x 1"	627	287	914	178	130	100
7	CGVM 2/4.00-26	1" x 1"	702	310	1012	195	135	100
8	CGVM 4/0.50-2	1¼" x 1¼"	263	216	479	134	101	100
9	CGVM 4/0.75-3	1¼" x 1¼"	290	216	506	134	101	100
10	CGVM 4/1.00-4	1¼" x 1¼"	321	232	553	160	124	100
11	CGVM 4/1.50-6	1¼" x 1¼"	375	232	607	160	124	100
12	CGVM 4/2.00-8	1¼" x 1¼"	446	266	712	178	126	100
13	CGVM 4/3.00-12	1¼" x 1¼"	554	287	841	178	130	100
14	CGVM 4/4.00-16	1¼" x 1¼"	665	310	975	195	135	100
15	CGVM 4/5.00-22	1¼" x 1¼"	827	310	1137	195	135	100
16	CGVM 8/1.00-2	1½" x 1½"	371	232	603	160	124	130
17	CGVM 8/1.5-3	1½" x 1½"	401	232	633	160	124	130
18	CGVM 8/2.00-4	1½" x 1½"	436	266	702	178	126	130
19	CGVM 8/3.00-6	1½" x 1½"	496	287	783	178	130	130
20	CGVM 8/4.00-8	1½" x 1½"	561	310	871	195	135	130
21	CGVM 8/5.00-12	1½" x 1½"	681	310	991	195	135	130
22	CGVM 8/7.50-16	1½" x 1½"	836	400	1236	260	182	130
23	CGVM 8/10.00-20	1½" x 1½"	956	400	1356	260	182	130
24	CGVM 16/3.00-2	2" x 2"	406	287	693	178	130	130
25	CGVM 16/4.00-3	2" x 2"	456	310	766	195	135	130
26	CGVM 16/5.00-4	2" x 2"	501	310	811	195	135	130
27	CGVM 16/7.50-6	2" x 2"	626	400	1026	260	182	130
28	CGVM 16/10.00-8	2" x 2"	716	400	1116	260	182	130
29	CGVM 16/15.00-12	2" x 2"	926	520	1446	307	220	130
30	CGVM 16/20.00-16	2" x 2"	1106	520	1626	307	220	130



# VERTICAL MULTISTAGE PUMPS

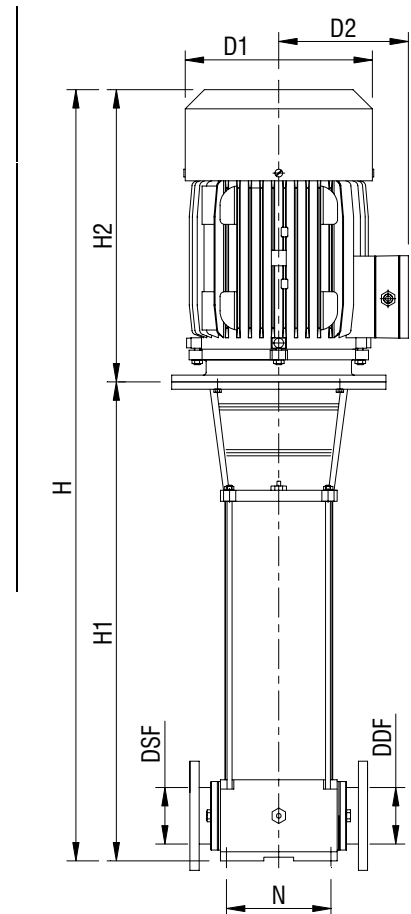
## Performance Chart

S.No.	Model	Power		Stage	Pipe size	Discharge in LPM							
		kW	HP			267	333	400	466	533	600	666	
1.	CGVM 32/5.00-2	3.70	5.00	2	2½" x 2½"	Head (m)	31	29	27	24	22	18	13
2.	CGVM 32/7.50-3	5.50	7.50	3	2½" x 2½"		49	46	43	39	34	30	22
3.	CGVM 32/10.0-4	7.50	10.00	4	2½" x 2½"		67	63	60	54	48	42	32
4.	CGVM 32/15.0-6	11.00	15.00	6	2½" x 2½"		103	97	92	85	76	67	52
5.	CGVM 32/20.0-8	15.00	20.00	8	2½" x 2½"		139	132	124	115	104	92	71
6.	CGVM 32/25.0-10	18.50	25.00	10	2½" x 2½"		175	166	157	146	132	116	91
7.	CGVM 32/30.0-11	22.00	30.00	11	2½" x 2½"		193	183	173	161	146	129	100
8.	CGVM 32/40.0-13	30.00	40.00	13	2½" x 2½"		229	217	206	192	174	153	120
9.	CGVM 32/40.0-15	30.00	40.00	15	2½" x 2½"		265	251	238	222	201	178	139

Note: Performance figure provided above are approximate for water at ambient temperature, may vary with liquid & sit conditions.

## DIMENSION DETAILS:

S.No.	Model	DSF & DD	H1	H2	H	D1	D2	N
1	CGVM 32/5.00-2	2½" x 2½"	634	319	953	220	147	170
2	CGVM 32/7.50-3	2½" x 2½"	724	400	1124	260	182	170
3	CGVM 32/10.0-4	2½" x 2½"	794	400	1194	260	182	170
4	CGVM 32/15.0-6	2½" x 2½"	964	518	1482	307	220	170
5	CGVM 32/20.0-8	2½" x 2½"	1104	518	1622	307	220	170
6	CGVM 32/25.0-10	2½" x 2½"	1244	518	1762	307	220	170
7	CGVM 32/30.0-11	2½" x 2½"	1314	595	1909	353	234	170
8	CGVM 32/40.0-13	2½" x 2½"	1364	595	1959	353	234	170
9	CGVM 32/40.0-15	2½" x 2½"	1454	632	2086	435	277	170
10	CGVM 32/5.00-2	2½" x 2½"	1524	632	2156	435	277	170
11	CGVM 32/7.50-3	2½" x 2½"	1594	632	2226	435	277	170





**Crompton Greaves Limited**  
**MACHINE 5 DIVISION**

Plot No. C-19 & A-28 MIDC, Ahmednagar - 414111  
Tel.: 0241-6606500 Fax: 0241-6606550, 6606560

Regd. Office:  
CG House, 6th Floor, Dr. Annie Besant Road, Worli, Mumbai - 400 030  
W: [www.cgglobal.com](http://www.cgglobal.com)